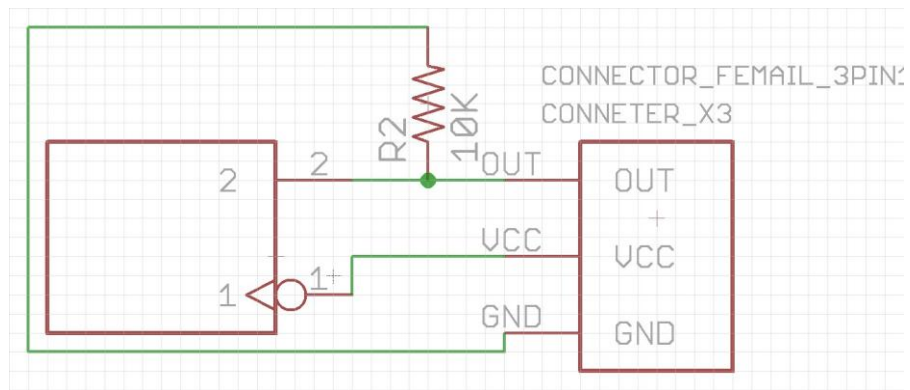
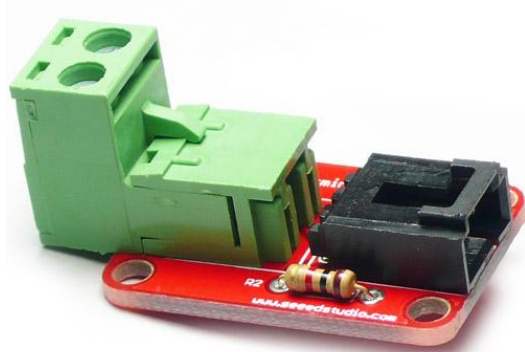
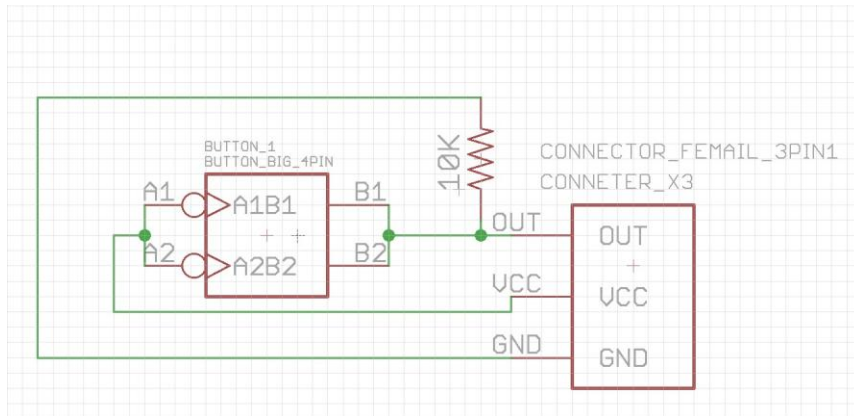


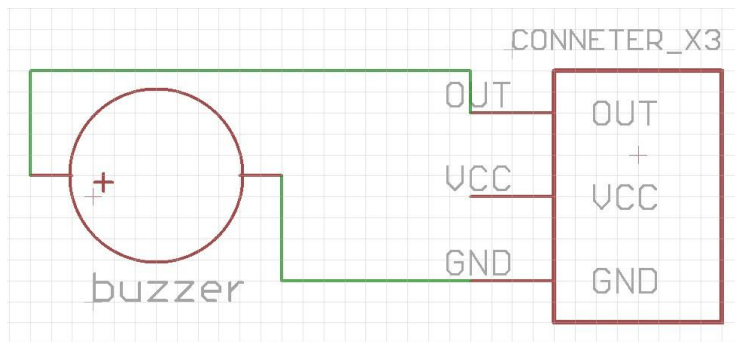
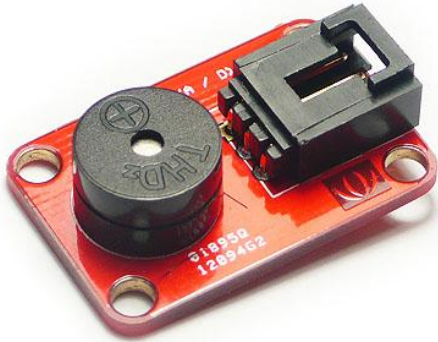
1 Terminal X2(Digital)



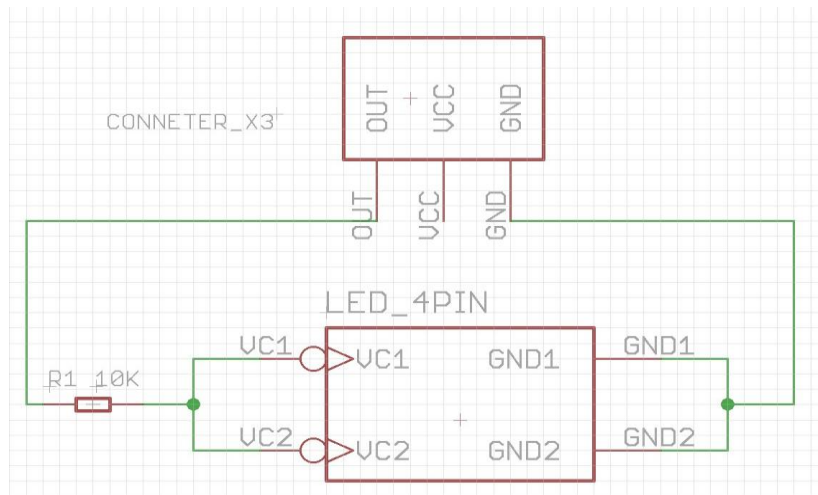
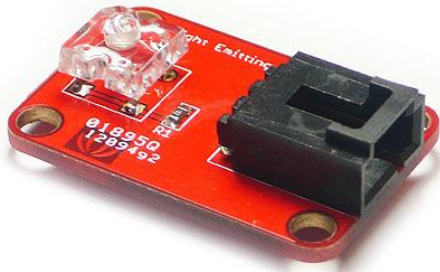
2 Big button (Digital)



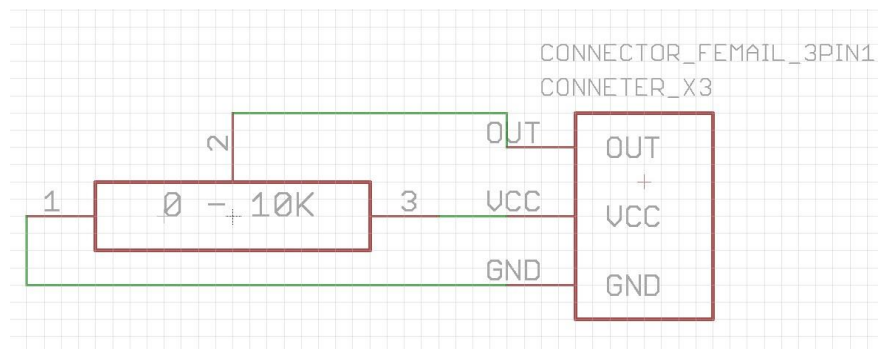
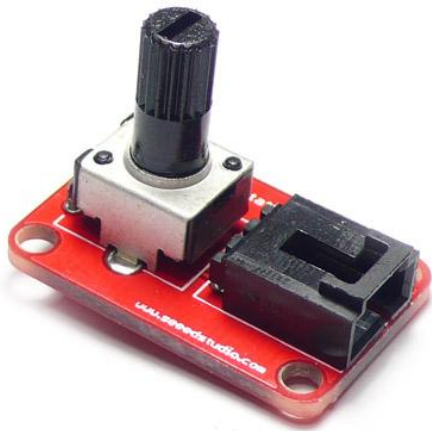
3 Buzzer (Digital or Analog)



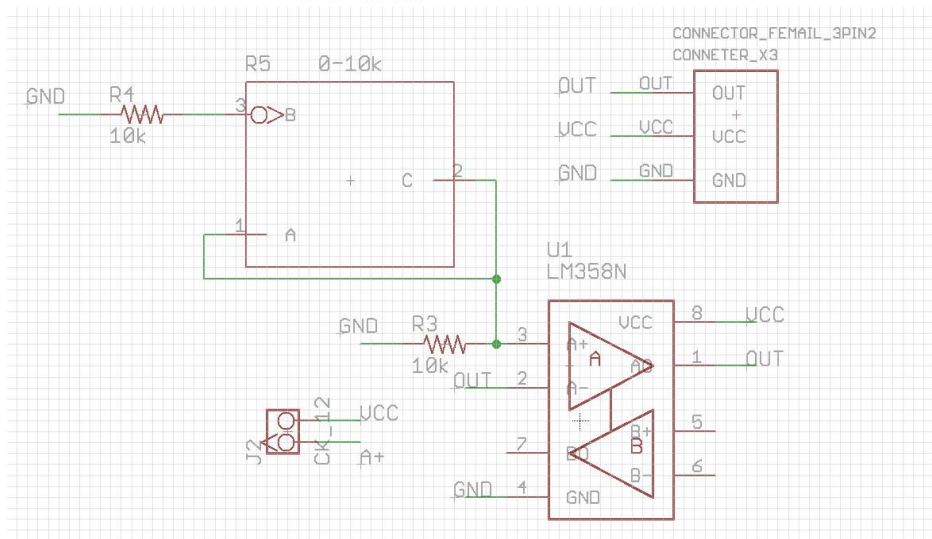
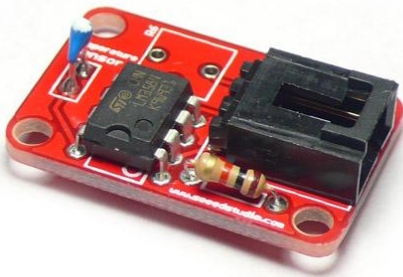
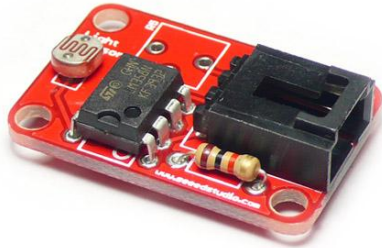
4 LED (Digital or Analog)



5 Rotary angle sensor (Analog)



6 Light / Temperature Sensor (Analog)



7 Rolling ball tilt switch (Digital)

